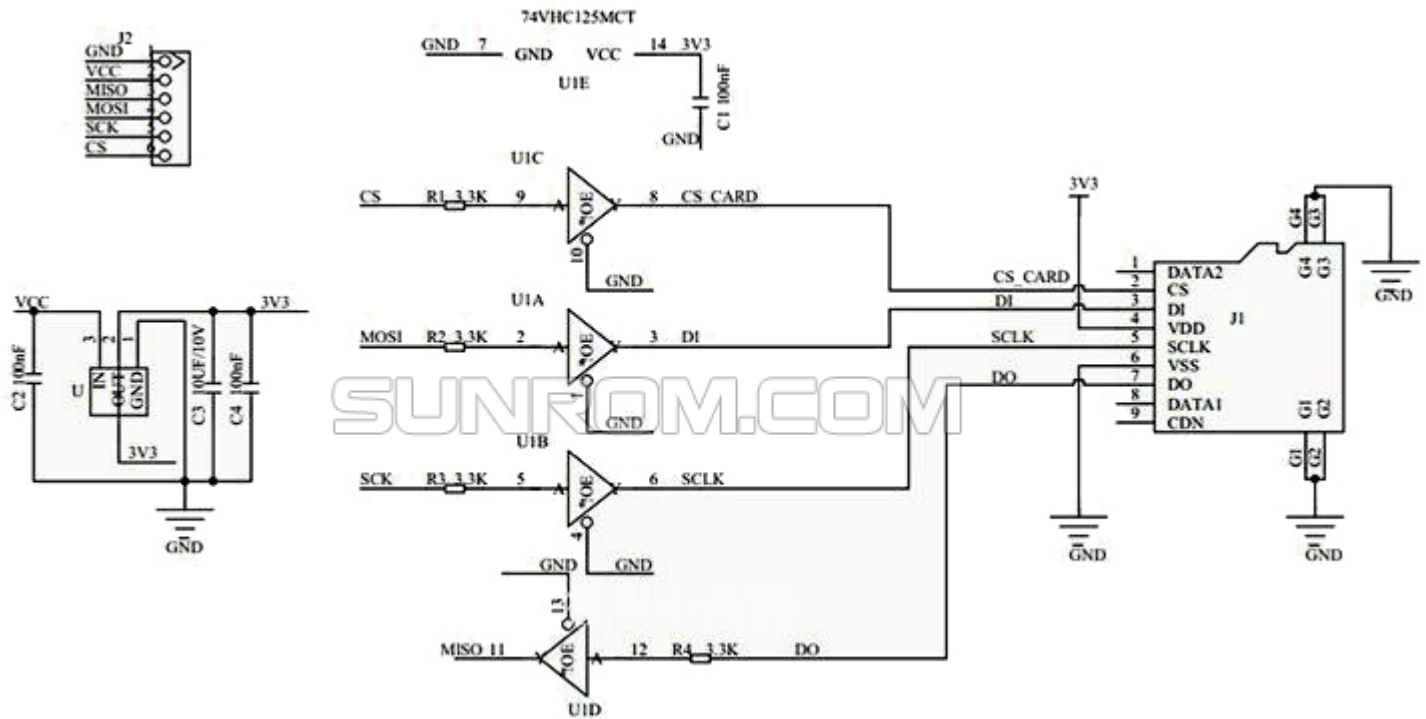


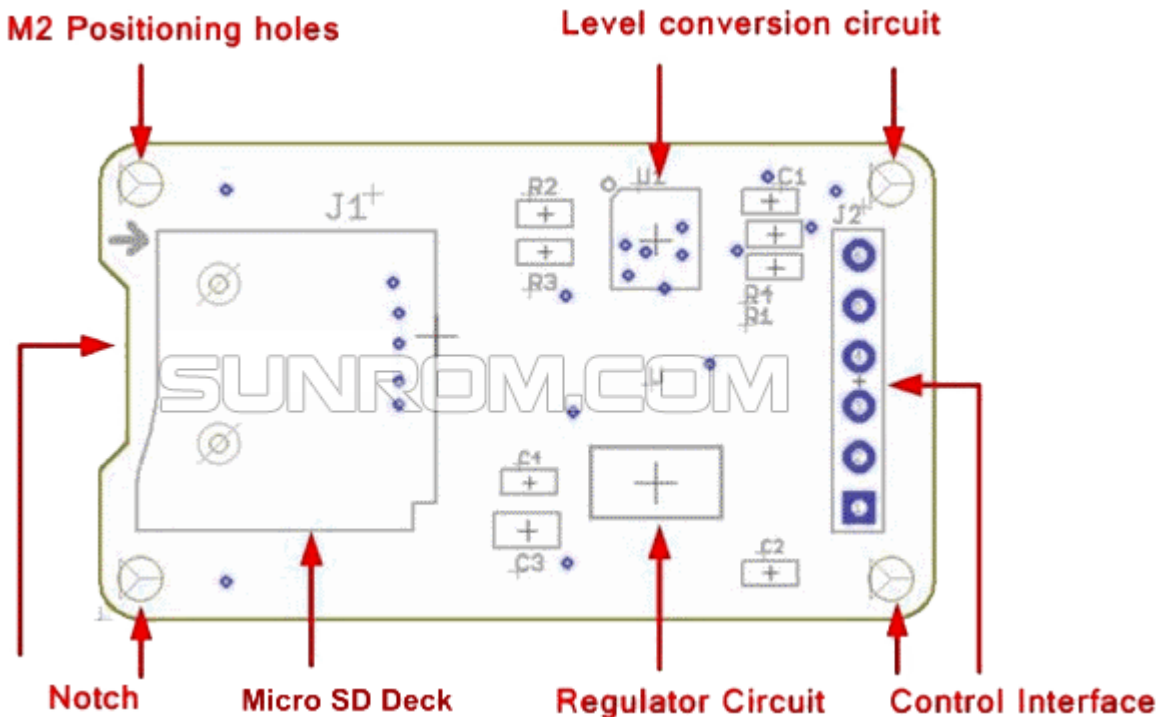
## MICRO SD CARD INTERFACING MODULE

On Board Level shifter and 3.3V regulator allows you to easily access micro SD card from 5V microcontrollers through SPI

### BOARD SCHEMATIC



### DIMENSIONS



## SPECIFICATIONS

Product Name	SD Card Interfacing Board
VCC Operating Voltage	5V DC
I/O Interfacing Voltage	3.3V to 5V DC
Communication	SPI
Regulator Chip	AMS1117-3.3
Level Conversion Chip	74VHC125
Mounting Screws	2.2mm Dia for 4x M2

## PIN OUT

Pin	Type	Details
CS	Input	SPI Chip Select
SCK	Input	SPI Serial Clock
MOSI	Input	SPI Master Out Slave In
MISO	Output	SPI Master In Slave Out
VCC	Power	5V DC regulated
GND	Ground	Common Ground

## ORDERING DETAILS

Sunrom Part#	Ordering Page
5066	<a href="http://www.sunrom.com/m/5066">http://www.sunrom.com/m/5066</a>