



PROTECTRON ELECTROMECH (P) LTD

DESCRIPTION : MINI JUMPER, 2.54 mm PITCH

PART NO:P9201-5X-21
X=COLOR OF INSULATOR

RoHS



PHYSICAL

INSULATION

MATERIAL : GLASS FILLED POLYESTER

COLOR : BLACK

CONTACT

MATERIAL : PHOSPHOR BRONZE

SOLDER TAILS : REFER TABLE

PACKAGING TYPE : TUBE/TRAY

ELECTRICAL

CURRENT RATING : 3A

INSULATION RESISTANCE : 1000M OHMS MIN

DIELECTRIC WITHSTANDING : 1000V AC/MIN

CONTACT RESISTANCE : 20m OHMS MAX

MECHANICAL DATA

INSERTION FORCE : 4N MAX

EXTRACTION FORCE : 0.7N MIN

MECHANICAL LIFE : 100 CYCLES min.

ENVIRONMENTAL DATA

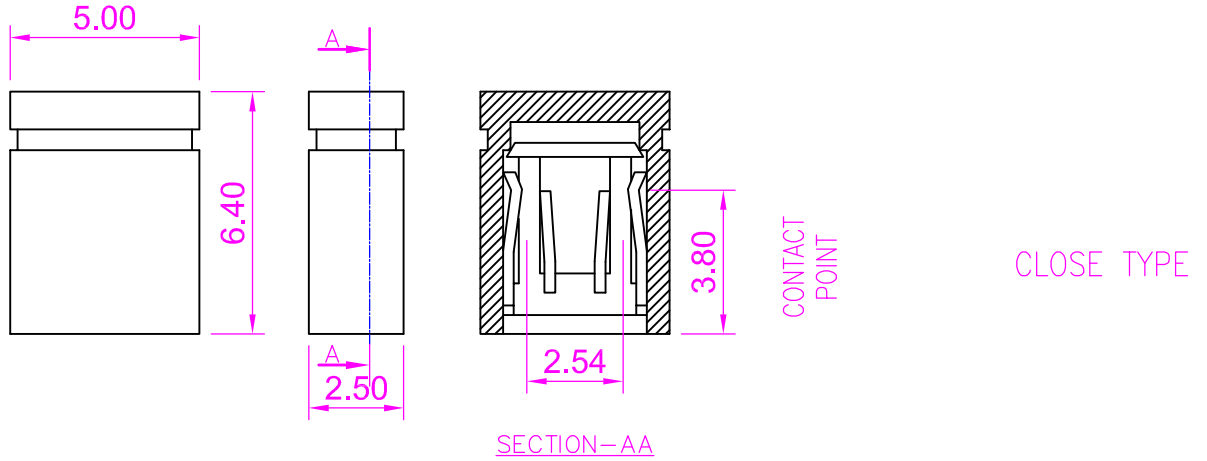
TEMPERATURE RANGE : -40°C TO +105°C



PROTECTRON ELECTROMECH (P) LTD

DESCRIPTION : MINI JUMPER, 2.54 mm PITCH

PART NO:P9201-5X-21
X=COLOR OF INSULATOR



ORDERING INFORMATION

P9201-5X-21

X	COLOUR
0	BLACK
2	RED
4	YELLOW
6	BLUE

MATES WITH

2.54mm PITCH
PIN HEADER

MOQ- ----

SPQ- ----

FOR DIFFERENT TYPE OF PLATING CONTACT FACTORY

A	ORIGINAL	SAMSON	07.06.2001		
REV.	DESCRIPTION		DRN. BY	DATE	CK'ED BY APP'D BY

Projection:



Scale: NTS

Sht. Size: A4

Gen. Tol.: ±0.35mm

ALL DIMENSIONS ARE IN MM.
IF UNLESS OTHERWISE SPECIFIED.



PROTECTRON ELECTROMECH (P) LTD

DESCRIPTION : MINI JUMPER, 2.54 mm PITCH

PART NO:P9202-5X-2X

1st X=COLOR OF INSULATOR
2nd X=PLATING

RoHS



PHYSICAL

INSULATION

MATERIAL : GLASS FILLED POLYESTER

COLOR : BLACK

CONTACT

MATERIAL : PHOSPHOR BRONZE

SOLDER TAILS : REFER TABLE

PACKAGING TYPE : TUBE/TRAY

ELECTRICAL

CURRENT RATING : 3A

INSULATION RESISTANCE : 1000M OHMS MIN

DIELECTRIC WITHSTANDING : 1000V AC/MIN

CONTACT RESISTANCE : 20m OHMS MAX

MECHANICAL DATA

INSERTION FORCE : 4N MAX

EXTRACTION FORCE : 0.7N MIN

MECHANICAL LIFE : 100 CYCLES min.

ENVIRONMENTAL DATA

TEMPERATURE RANGE : -40°C TO +105°C

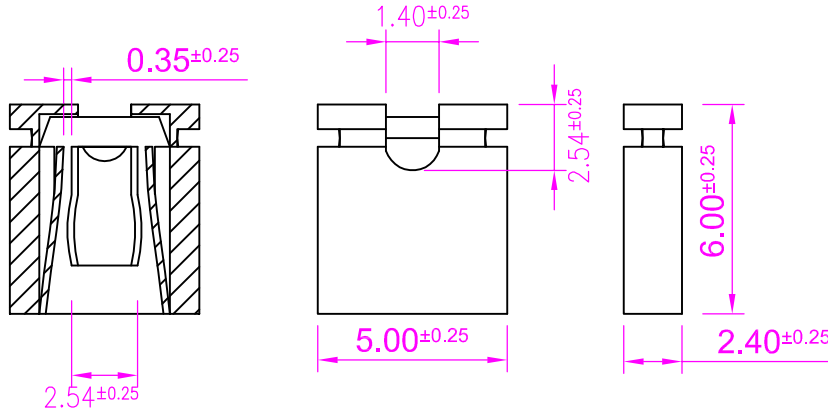


PROTECTRON ELECTROMECH (P) LTD

DESCRIPTION : MINI JUMPER, 2.54 mm PITCH

PART NO:P9202-5X-2X

1st X=COLOR OF INSULATOR
2nd X=PLATING



OPEN TYPE

ORDERING INFORMATION

P9202-5X-2X

X	COLOUR
0	BLACK
2	RED
4	YELLOW
6	BLUE

PLATING	XX
GOLD FLASH	1
0.75μGOLD	2

MATES WITH

2.54mm PITCH
PIN HEADER

MOQ- ----

SPQ- ----

A ORIGINAL

ANIL

02.05.2008

REV.

DESCRIPTION

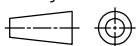
DRN. BY

DATE

CK'ED BY

APP'D BY

Projection:



Scale: NTS

Sht. Size: A4

Gen. Tol.:±0.35mm

ALL DIMENSIONS ARE IN MM.
IF UNLESS OTHERWISE SPECIFIED.

<http://www.protectron.in>

protectron@protectron.in



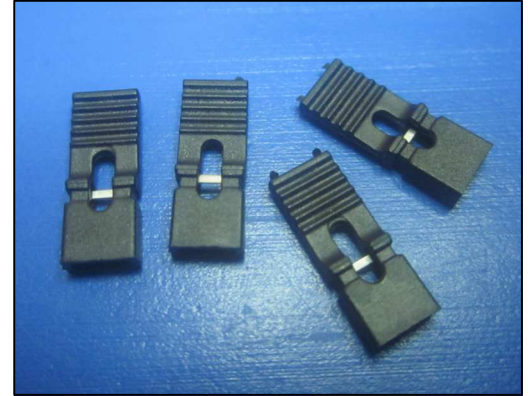
PROTECTRON ELECTROMECH (P) LTD

DESCRIPTION : MINI JUMPER, 2.54 mm PITCH

PART NO:P9203-5X-11

X=COLOR OF INSULATOR

RoHS



PHYSICAL

INSULATION

MATERIAL : GLASS FILLED POLYESTER

COLOR : BLACK

CONTACT

MATERIAL : PHOSPHOR BRONZE

SOLDER TAILS : REFER TABLE

PACKAGING TYPE : TUBE/TRAY

ELECTRICAL

CURRENT RATING : 3A

INSULATION RESISTANCE : 1000M OHMS MIN

DIELECTRIC WITHSTANDING : 1000V AC/MIN

CONTACT RESISTANCE : 20m OHMS MAX

MECHANICAL DATA

INSERTION FORCE : 4N MAX

EXTRACTION FORCE : 0.7N MIN

MECHANICAL LIFE : 100 CYCLES min.

ENVIRONMENTAL DATA

TEMPERATURE RANGE : -40°C TO +105°C

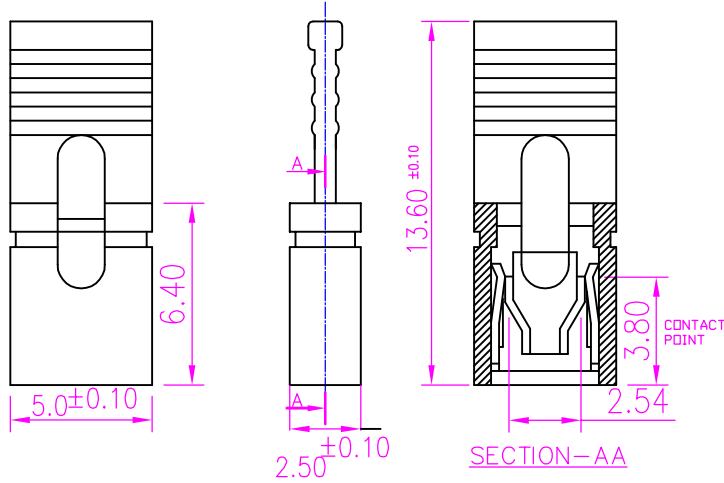


PROTECTRON ELECTROMECH (P) LTD

DESCRIPTION : MINI JUMPER, 2.54 mm PITCH

PART NO:P9203-5X-11

X=COLOR OF INSULATOR



LIFTING TAB

ORDERING INFORMATION

P9203-5X-11

COLOR OF INSULATOR

XX	COLOUR
0	BLACK
2	RED
4	YELLOW
6	BLUE

MATES WITH

2.54mm PITCH
PIN HEADER

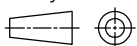
MOQ- ----

SPQ- ----

FOR DIFFERENT TYPE OF PLATING CONTACT FACTORY

A	ORIGINAL	SACHIN	14.01.2004		
REV.	DESCRIPTION	DRN. BY	DATE	CK'ED BY	APP'D BY

Projection:



Scale: NTS

Sht. Size: A4

Gen. Tol.: ± 0.35 mm

ALL DIMENSIONS ARE IN MM.
IF UNLESS OTHERWISE SPECIFIED.