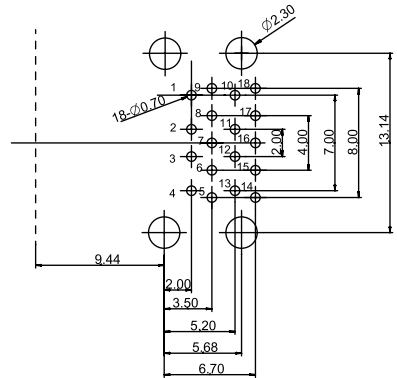
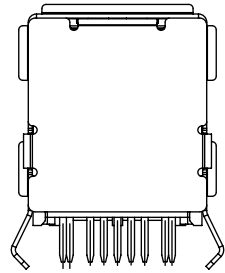
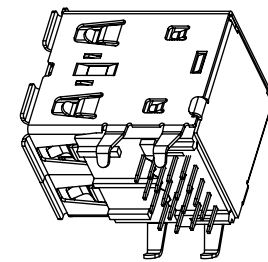
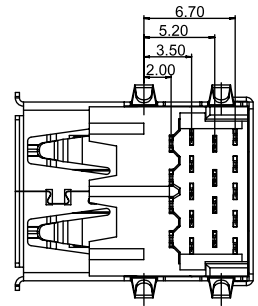
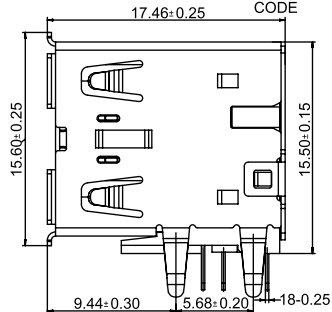
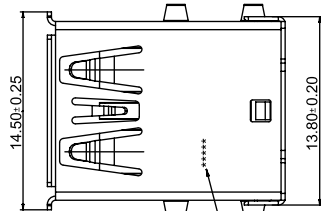
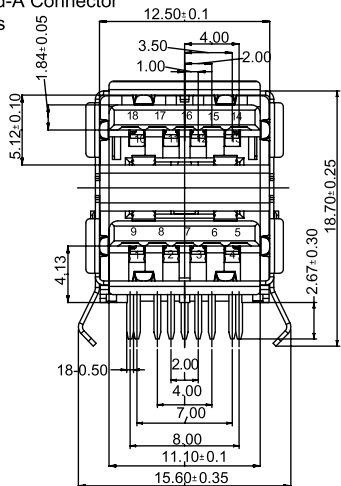


Pin Number	Signal Name	Description
1,10	VBUS	Power
2,11	D-	USB2.0 differential pair
3,12	D+	
4,13	GND	Ground for power return
5,14	StdA_SSRX-	SuperSpeed receiver differential pair
6,15	StdA_SSRX+	
7,16	GND_DRAIN	Ground for signal return
8,17	StdA_SSTX-	SuperSpeed transmitter differential pair
9,18	StdA_SSTX+	
Shell	Shield	Connector metal shell

USB3.0 Standard-A Connector
Pin Assignments



RECOMMEND P.C.B LAYOUT (THICKNESS=1.2mm)
(COMPONENT SIDE) TOLERANCE±0.05

<https://www.sunrom.com/m/7411>