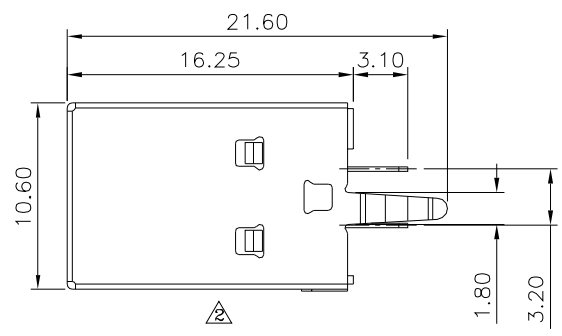


Recommended P.C.B. Layout



SPECIFICATION
 Current:1.5A Max.
 Voltage:30V Max.
 Withstanding Voltage:500V AC
 Contact Resistance:30 Milliohms Max.
 Insulation Resistance:1000 Megaohms Min.
 Temperature Range:-20°C~+60°C
 Mating Force:35N Max.
 Withdrawal Force:10N Min.
 Durability:1500 Cycles Min.
 Contact:Phosphor Bronze
 Gold Flash On Contact Area,Tin
 Plated On Solder Tails,Over Nickel
 Insulator/Plug:PBT+30%G.F.(UL94V-0)
 Shell:Brass,Nickel Plated Over All
 RoHS Compliant

SUNROM.COM

USB B-Type Female PCB Straight
<https://www.sunrom.com/m/7181>

DRAWING No. **7181**
 SCALE NONE

APPROVED BY MEI
 CHECKED BY HZF
 DRAWING BY HAO
 REV. B4

UNLESS OTHERWISE SPECIFIED TOLERANCES ARE
 .X ±0.38 .X* ±2*
 .XX ±0.25 .XX* ±1*
 .XXX ±0.13 .XXX* ±0.5*
 UNIT mm

NO.	REV.	REVISIONS	CHK	DATE
4	B4	Modify Data	HZF	03/13/2015
3	B3	Modify Data	HZF	09/13/2010
2	B2	Modify Data	HZF	07/07/2010
1	B1	Modify Data	HZF	01/28/2010
0	B0	NEW RELEASE	HZF	05/06/2009