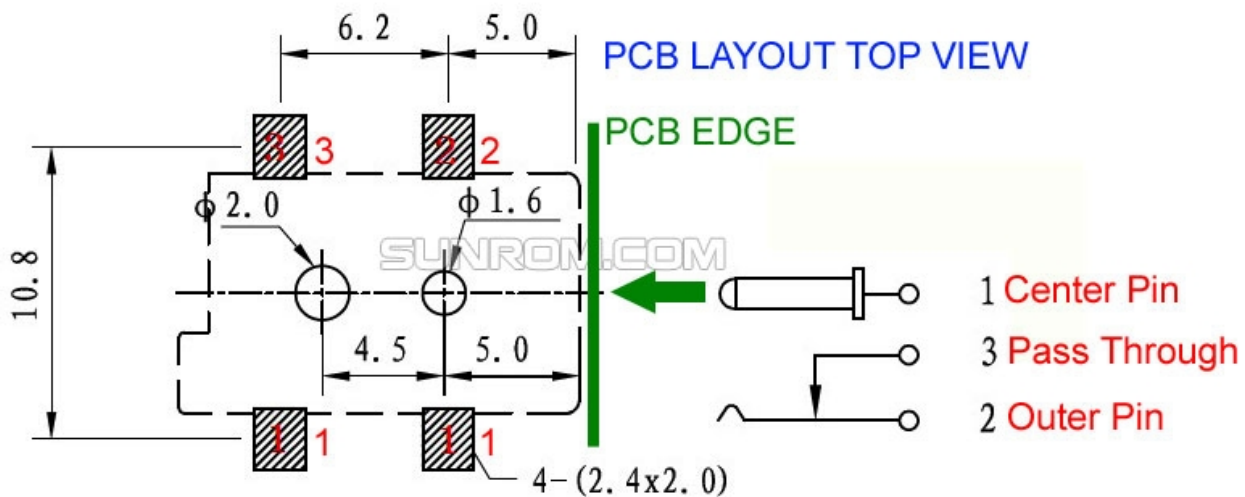
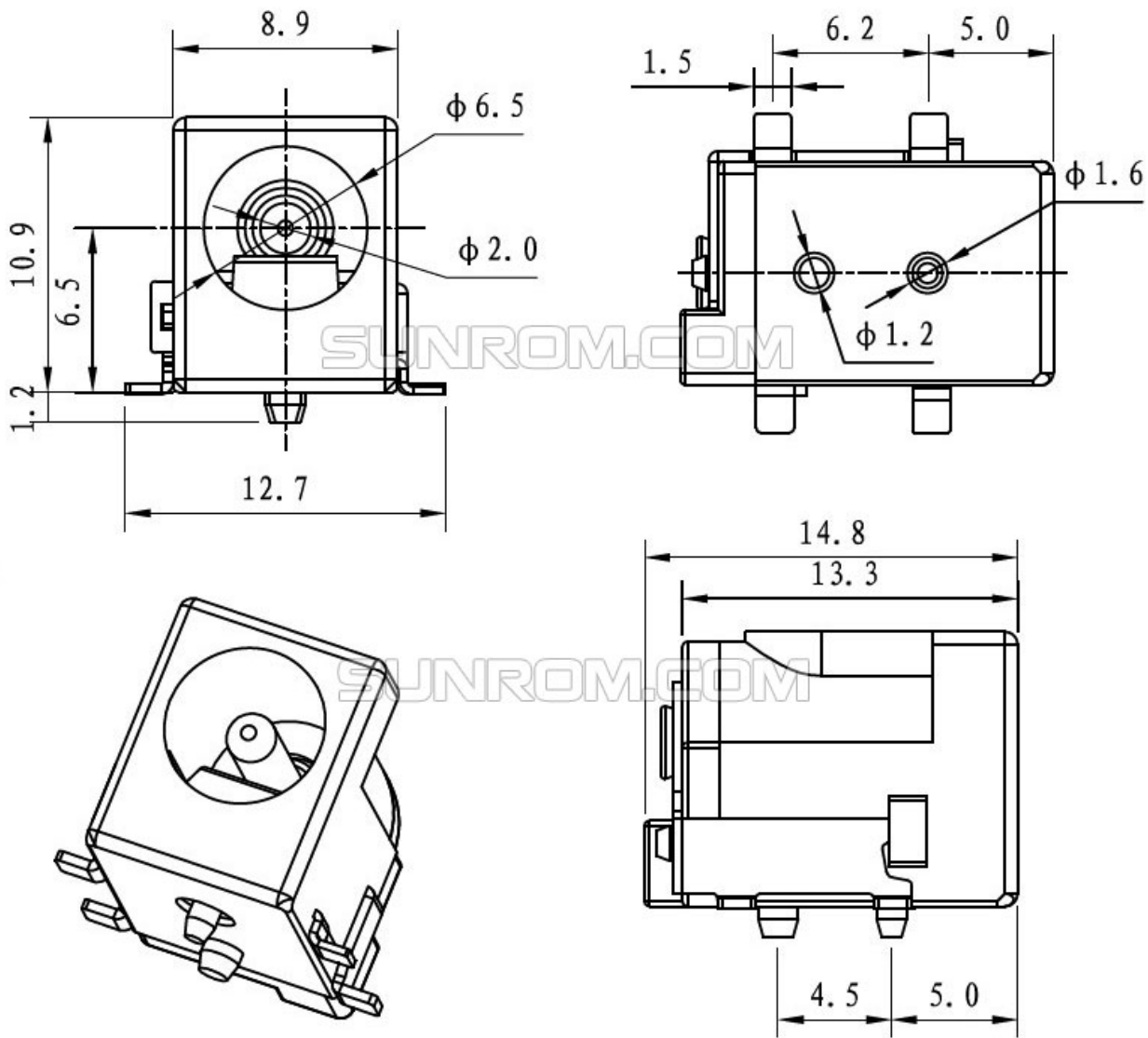


DC SOCKET - FOR 5.5X2.1MM DC PLUG SUITABLE FOR SMD REFLOW PROCESS

Good quality, SMD barrel-type power socket for DC power supplies.



SPECIFICATIONS

Product Name	DC Socket PCB SMD
Power Rating	1A @ 30VDC
Contact Resistance	< 0.03 ohms
Insulation Resistance	100 M Ohms
Operating Temperature	-40 to +55 deg C
Withstanding Voltage	AC 500V for 1 minute



ORDERING DETAILS

Sunrom Part#	Ordering Page
6187	http://www.sunrom.com/m/6187