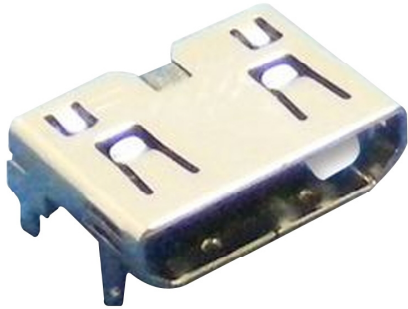


Mini HDMI Socket Type C, SMT



RoHS
Compliant



Specifications:

Connector Type	: Min. HDMI
Gender	: Receptacle
Contact Plating	: Gold
Contact Material	: Brass
No. of Rows	: 1
No. of Ways	: 19
Termination Method	: Solder

Mechanical:

Max. Insertion Force	: 4.5kg
Max. Withdraw Force	: 0.3kg
Lead Spacing	: 0.4mm

Electrical:

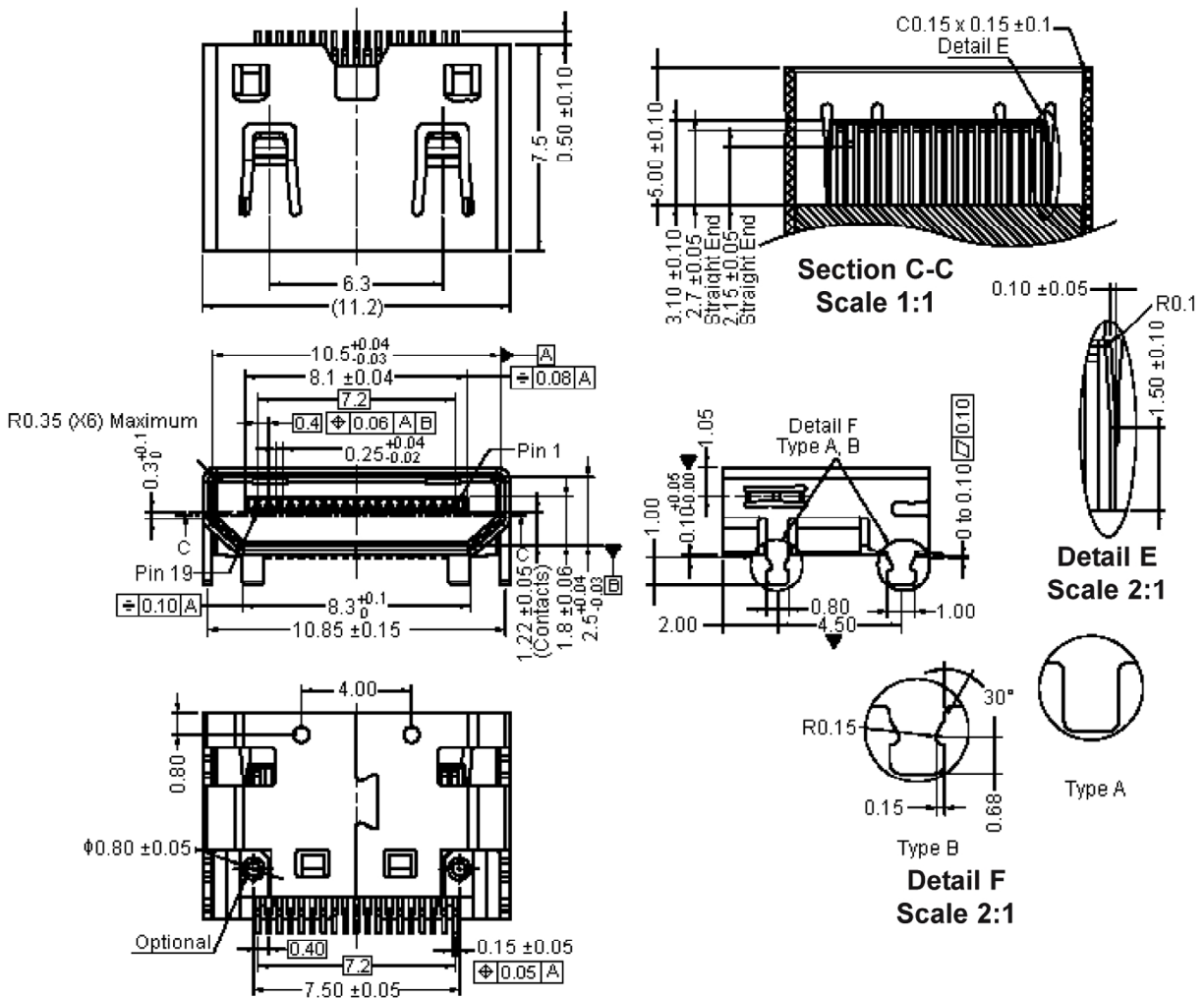
Minimum Contact Current Rating	: 0.5A
Maximum Operating Current	: 0.5A
Voltage Rating	: 40V AC (rms)
Dielectric Withstanding Voltage	: 500V AC between adjacent terminal (unmate) 300V AC between adjacent terminal (mate)
Min. Insulation Resistance	: 100M Ω (unmate) 10M Ω (mate)
Max. Contact Resistance	: 30m Ω

Environmental:

Operating Temperature	: -25°C to +85°C
-----------------------	------------------



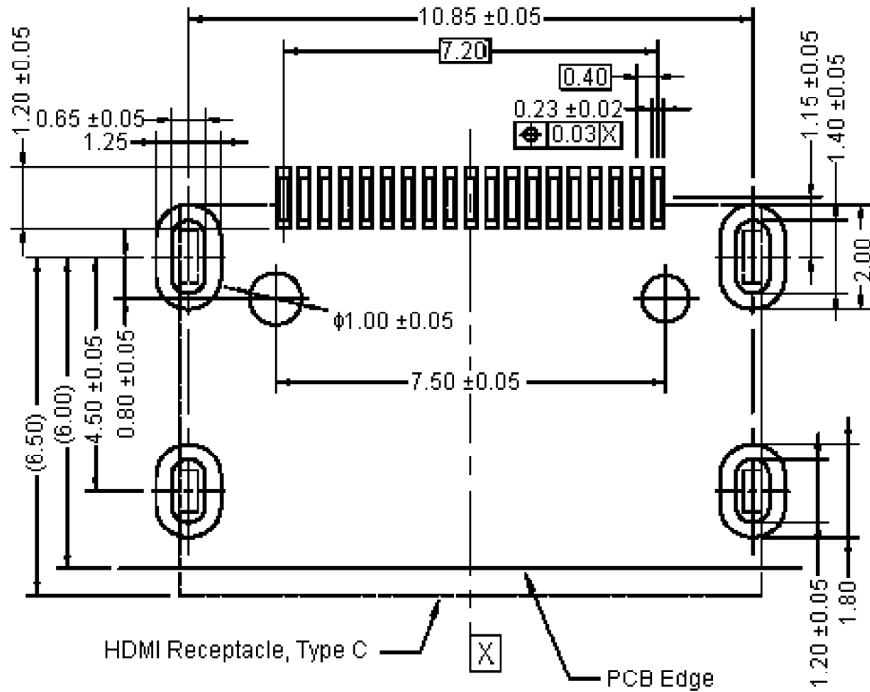
Mini HDMI Socket Type C, SMT



Dimensions : Millimetres



Mini HDMI Socket Type C, SMT



Recommended PCB Layout

Dimensions : Millimetres

Part Number Table

Description	Part Number
Mini HDMI Socket - Type C, SMT	60U019S-341N-B1-FEC

Important Notice : This data sheet and its contents (the "Information") belong to the members of the Premier Farnell group of companies (the "Group") or are licensed to it. No licence is granted for the use of it other than for information purposes in connection with the products to which it relates. No licence of any intellectual property rights is granted. The Information is subject to change without notice and replaces all data sheets previously supplied. The Information supplied is believed to be accurate but the Group assumes no responsibility for its accuracy or completeness, any error in or omission from it or for any use made of it. Users of this data sheet should check for themselves the Information and the suitability of the products for their purpose and not make any assumptions based on information included or omitted. Liability for loss or damage resulting from any reliance on the Information or use of it (including liability resulting from negligence or where the Group was aware of the possibility of such loss or damage arising) is excluded. This will not operate to limit or restrict the Group's liability for death or personal injury resulting from its negligence. Multicomp is the registered trademark of the Group. © Premier Farnell plc 2012.

www.element14.com
www.farnell.com
www.newark.com

