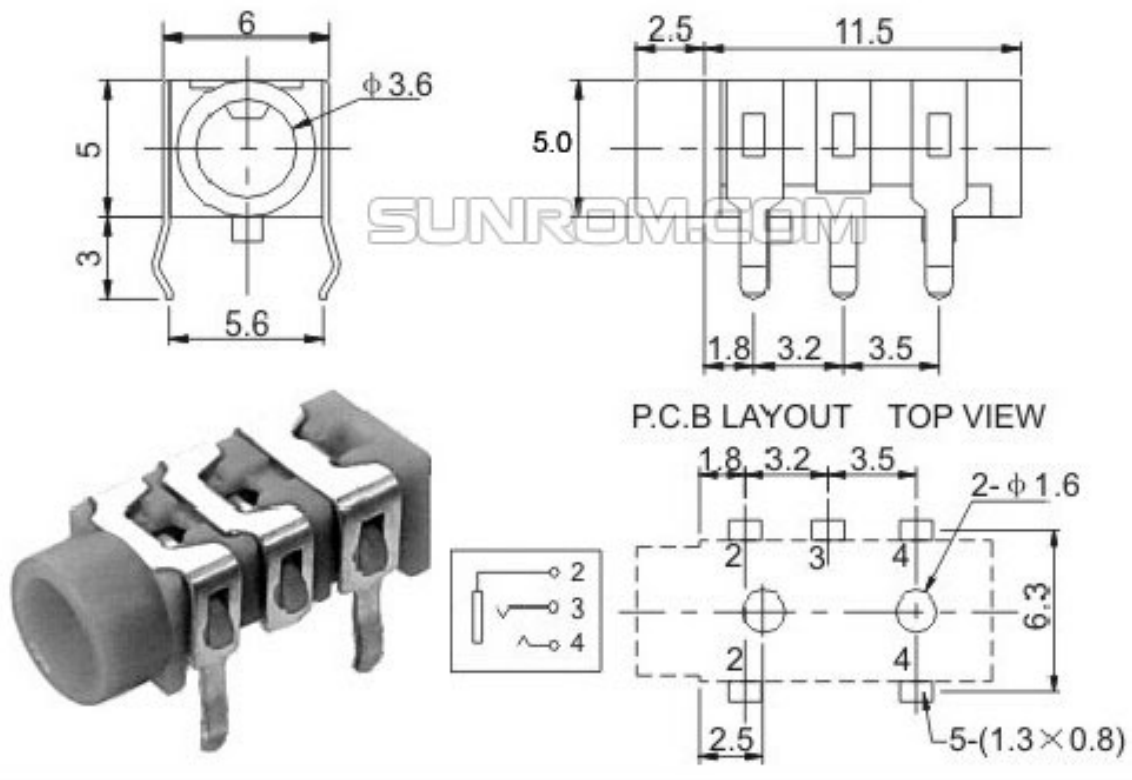


STEREO SOCKET - 3.5MM - PCB MOUNT - THROUGH HOLE

PCB Mount Audio Connector

DIMENSIONS



SPECIFICATIONS

Product Name	Stereo Socket PCB Mount
Power Rating	0.5A @ 30VDC
Contact Resistance	< 0.03 ohms
Insulation Resistance	100 M Ohms
Operating Temperature	-40 to +55 deg C
Withstanding Voltage	AC 500V for 1 minute

ORDERING DETAILS

Sunrom Part#	Ordering Page
5542	http://www.sunrom.com/m/5542