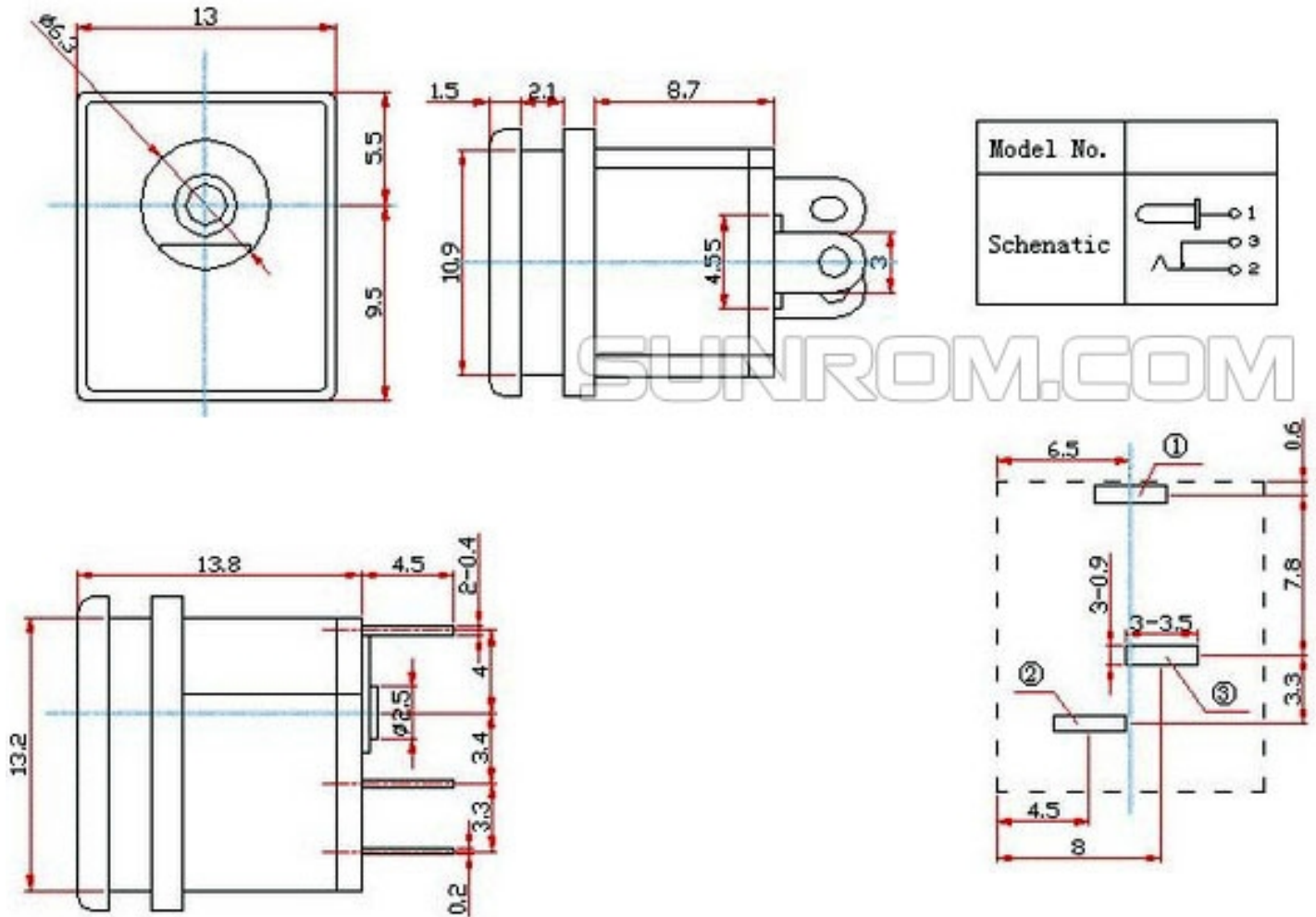


DC SOCKET - SUITABLE FOR 5.5X2.1MM DC PINS WITH SQUARE HEAD SLIT PANEL

Slit Fit, Good quality, common barrel-type power socket for DC power supplies.

DIMENSIONS



SPECIFICATIONS

Product Name	DC Socket PCB/Panel Mount
Power Rating	1A @ 30VDC
Contact Resistance	< 0.03 ohms
Insulation Resistance	100 M Ohms
Operating Temperature	-40 to +55 deg C
Withstanding Voltage	AC 500V for 1 minute

ORDERING DETAILS

Sunrom Part#	Ordering Page
5546	http://www.sunrom.com/m/5546