

This document is the property of Amphenol Corporation and is delivered on the express condition that is not to be disclosed, reproduced or used, in whole or in part, for manufacture or sale by anyone other than Amphenol Corporation without its prior consent, and that no right is granted to disclose or to use any information in this document.

The marking on this product doesn't contain environmental hazardous materials per Material Specification SS-00259 for Sony GP compliant or per directive 2002/95/EC for RoHS compliant.



ORIGINAL



REVISIONS				
SYM	ECN No.	DESCRIPTION	DATE	APPROVED
A		RELEASE REVISION	10/29/2010	Arron Lin

PART NO. GSB3211XXXWEU

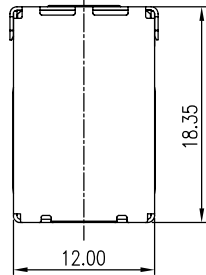
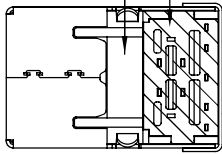
PLATING OF
SOLDERING AREA
3: 100u" MATTE TIN
4: 2u" MIN. GOLD

TAIL LENGTH
1: 2.80 MM
2: 3.30 MM

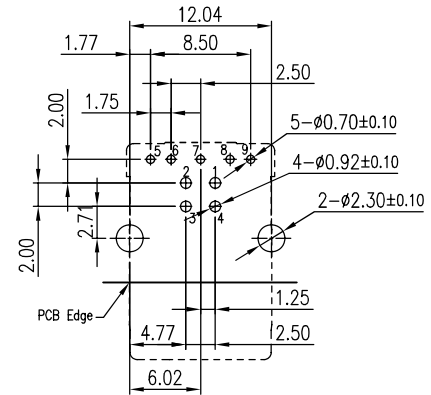
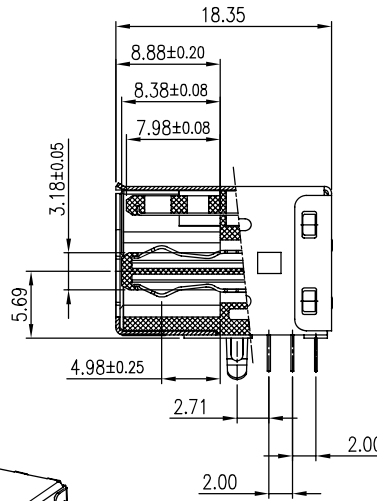
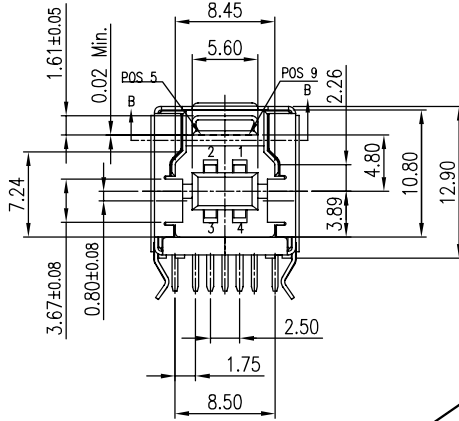
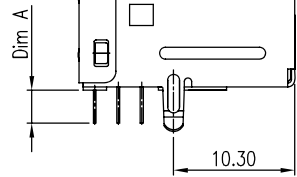
COLOR
1: BLUE
3: BLACK

PART NO.	Dim A
GSB3211XX1WEU	2.80 MM
GSB3211XX2WEU	3.30 MM

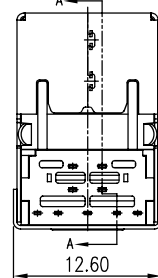
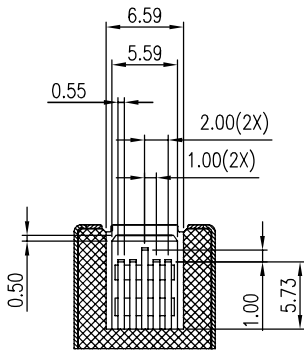
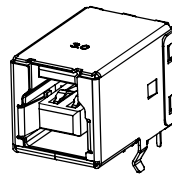
HOUSING: PBT
BAFFLE: NYLON66



Pin Number	Signal Name	Pin Number	Signal Name
1	VBUS	6	StdB_SSTX+
2	D-	7	GND-DRAIN
3	D+	8	StdB_SSRX-
4	GND	9	StdB_SSRX+
5	StdB_SSTX-		



PCB Layout
TOP View (T=1.60mm)



TOLERANCE	APPROVALS	DATE	TITLE		Amphenol® Amphenol Corporation Amphenol Taiwan Corporation	
X. X.X ±0.30 X.XX ±0.20 X.XXX ±0.10	DRAWN Aqua Chou	10/29/2010	USB 3.0 B TYPE RECEPTACLE RIGHT ANGLE, DIP TYPE		PART No. GSB3211XXXWEU	
	CHECKED Roger Tsai	10/29/2010			DWG No. GSB3211XXXWEU	
	APPROVED Arron Lin	10/29/2010			REV. A	
ANGULAR ±1° UNLESS OTHERWISE SPECIFIED	DWG TYPE CUST DWG	PROJECT CODE OTHER			UNIT mm	SIZE A3
			SCALE NA	SHEET 1 OF 2		

NOTES:

- MATERIAL:
HOUSING: HIGH TEMPERATURE THERMAL PLASTIC, PBT, UL94V-0.
BAFFLE: HIGH TEMPERATURE THERMAL PLASTIC, NYLON66, UL94V-0.
TERMINAL A: COPPER ALLOY.
TERMINAL B: COPPER ALLOY.
SHELL: COPPER ALLOY.
- FINISH:
TERMINAL A & TERMINAL B:
CONTACT AREA: GOLD PLATING 30 μ" THICKNESS MIN.;
SOLDERING AREA: OPTION;
UNDER PLATING: NICKEL PLATING 80 μ" THICKNESS MIN. OVERALL
SHELL:
NICKEL PLATING 50 μ" THICKNESS MIN. OVERALL
- THIS PRODUCT IS FOR WAVE SOLDERING ONLY.
- THIS PRODUCT DOESN'T CONTAIN ENVIRONMENTAL HAZARDOUS PER DIRECTIVE 2002/95/EC FOR RoHS COMPLIANT.