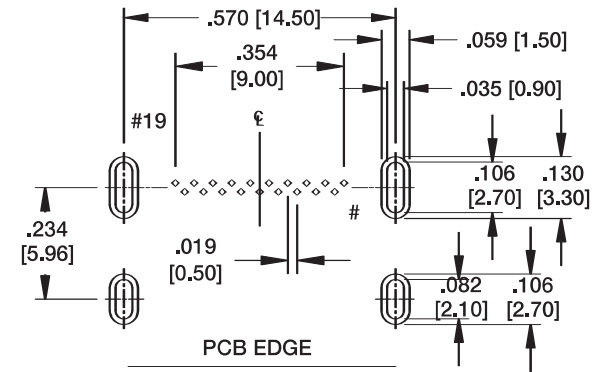
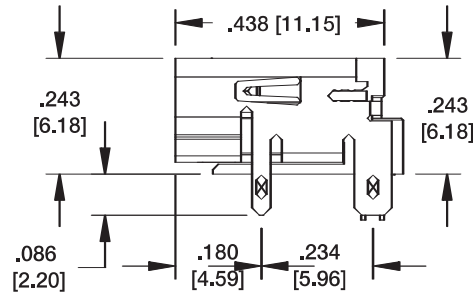
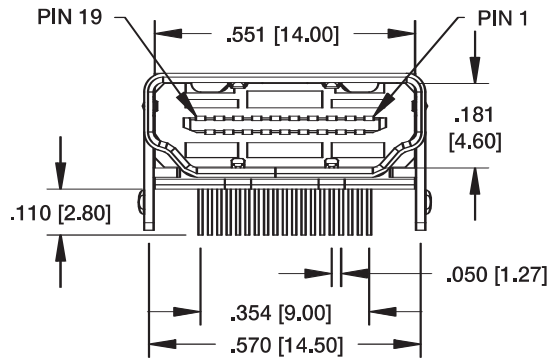
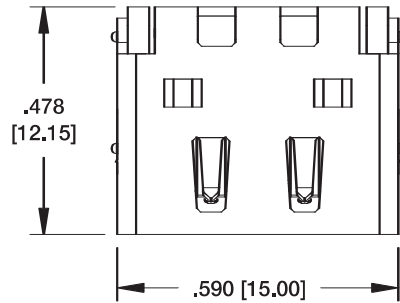


HDMI RIGHT ANGLE RIGHT ANGLE THRU-HOLE



HDMI-S-RA-1



Recommended PCB Layout