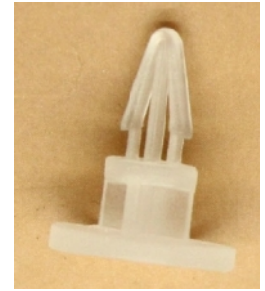


PCB SPACERS, 6MM HEIGHT

Suitable for PCB hole 3.0mm~4.0mm and PCB thickness of ≤ 1.7 mm, PCB will have height of 6mm after spacer mounting. Provides space and support between Circuit board and chassis, Snap Fit Mounting.

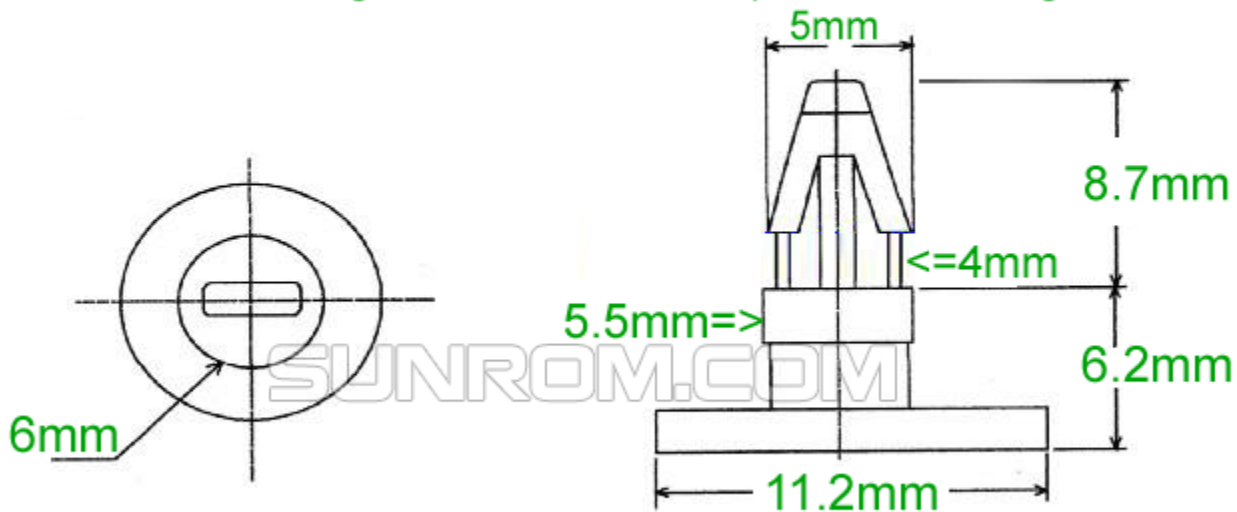


DIMENSIONS

Suitable for PCB hole 3.0mm~4.0mm

PCB thickness of ≤ 1.7 mm

PCB will have height of 6.2mm after spacer mounting



SPECIFICATIONS

Product Name	PCB Spacer
Color	White
Material	Polyethylene (PE)
Temperature	-20°C ~ +120°C
Flammability	94V-2
Net Weight	1g

ORDERING DETAILS

Part#	Ordering Page
4608	http://www.sunrom.com/m/4608

