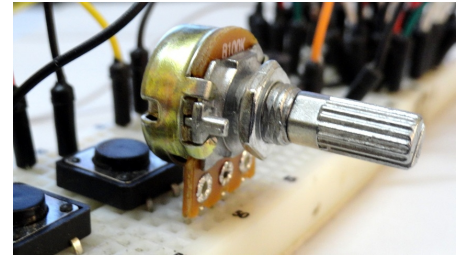
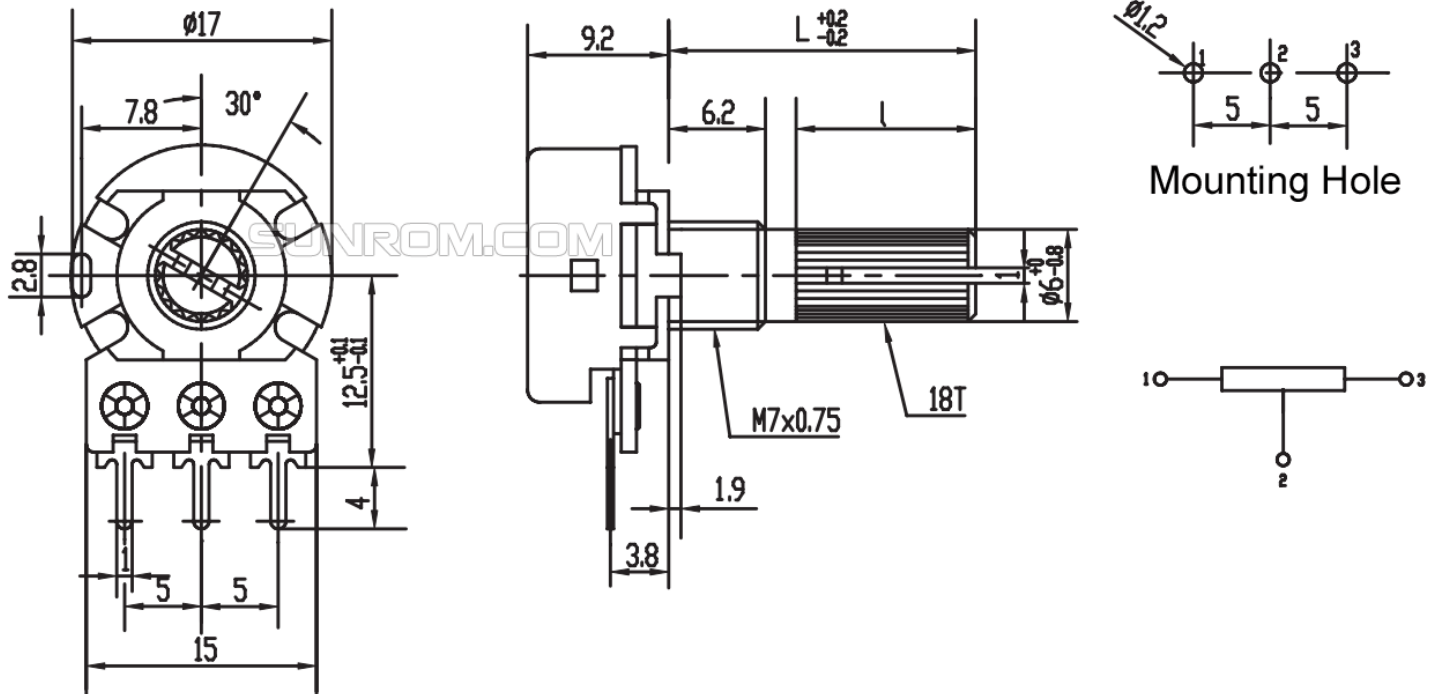


ROTARY POTENTIOMETER (VOLUME CONTROL)

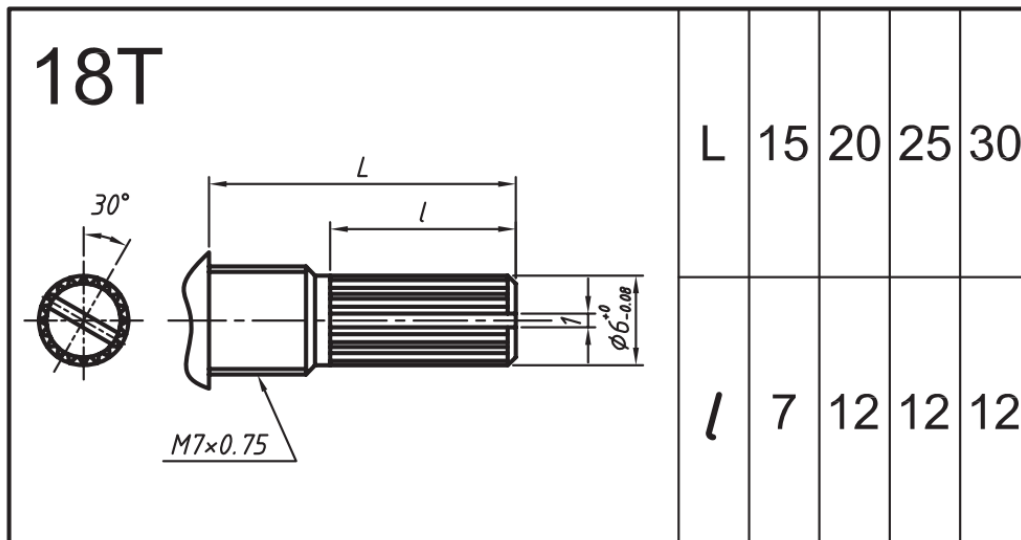
Variable Resister, Potentiometer, Linear, B Type potentiometer, 10K Linear Volume Control aka Potentiometer, It's a B Type Volume Control which implies linear variation while A Type is Logarithmic variation. This POT can be used in Audio Applications like Tone Control, Volume Control and variety of other Experimentation activities. It can be hooked directly onto breadboard.



DIMENSIONS



SHAFT DIMENSIONS



SPECIFICATIONS

MECHANICAL SPECIFICATIONS

- Total rotation angle: $300^{\circ} \pm 5^{\circ}$
- Rotation torque: 2 ~ 20mN.m (20 ~ 200gf.cm)
- Shaft stop strength: 6Kgf.cm
- Push pull strength: 60N
- Rotary life: 10000 cycles

ELECTRICAL SPECIFICATIONS

- Resistance taper: A, B, C
- Resistance tolerance: $\pm 20\%$
- Rotational noise: $K \leq 47 \text{ m V}$
- Tracking error: 0 ~ -40dB 3 dB
- Rated wattage: Curve B: 0.125W; Other than B: 0.063 W
- Max, operating voltage: Curve B: 200 V; Other than B: 150 V
- Dielectric: AC500V, 1 minute
- Insulation resistance: More than $100\text{M}\Omega$ at DC500V

ORDERING DETAILS

Sunrom Part#	Value	L=Length	Ordering Page
5169	10K	15mm	http://www.sunrom.com/m/5169