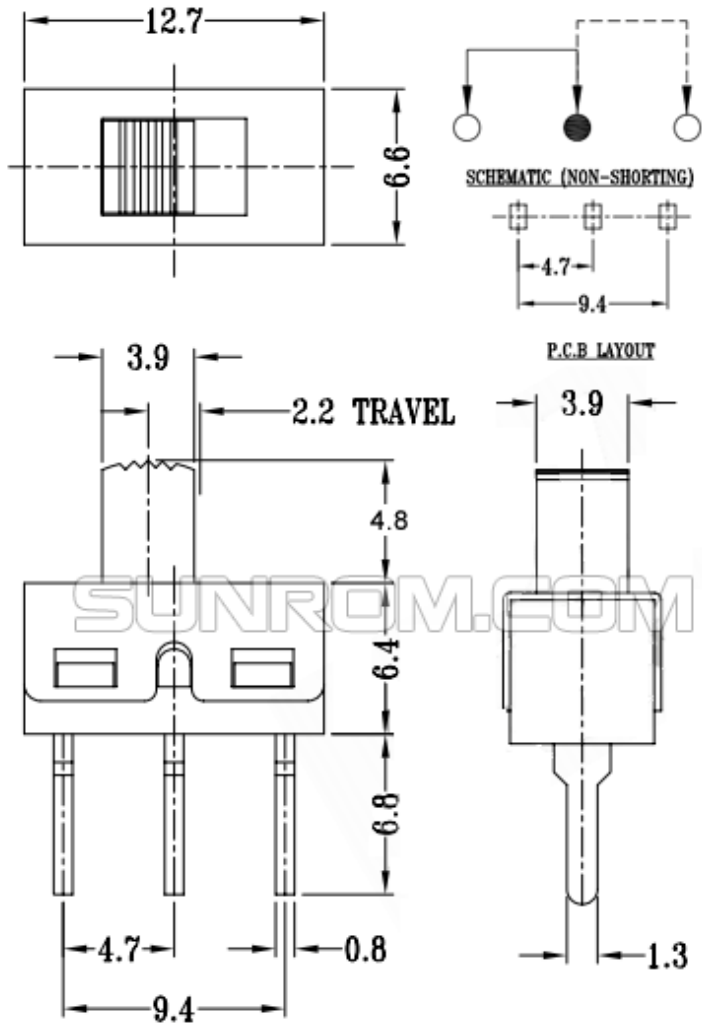


**SLIDE SWITCH, 1P2T, HIGH CURRENT, STRAIGHT**

Two way slide switch

**DIMENSIONS****SPECIFICATIONS**

Rated Voltage	250V AC Max
Rated Current	3A Max
Withstanding Voltage	500V AC for 1 minute
Operating Temperature	-20 to +70 deg C
Contact Resistance	<0.05 Ohms
Insulation Resistance	>100 M Ohms
Operating Force	250 gf

**ORDERING DETAILS**

Sunrom Part#	Ordering Page
5255	<a href="http://www.sunrom.com/m/5255">http://www.sunrom.com/m/5255</a>