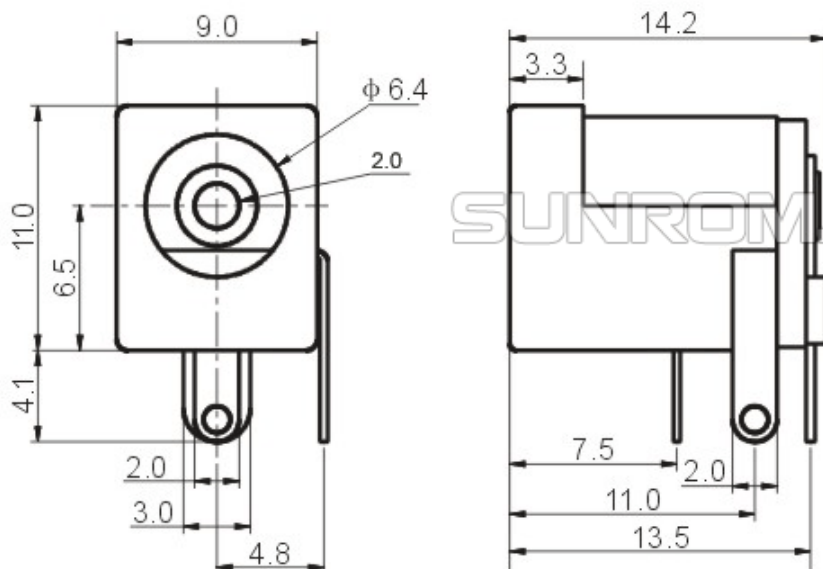


DC SOCKET - SUITABLE FOR 5.5X2.1MM DC PINS

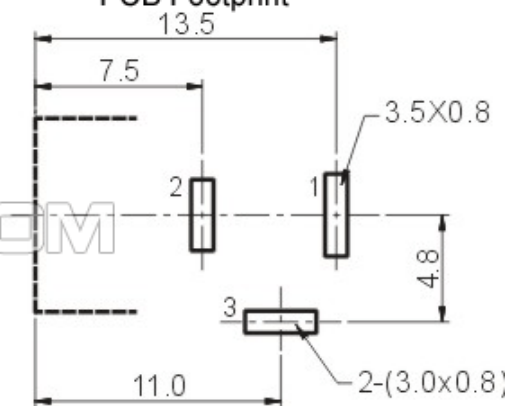
Good quality, common barrel-type power socket for DC power supplies.

DIMENSIONS

Sunrom Part# 3938 Dimension in mm



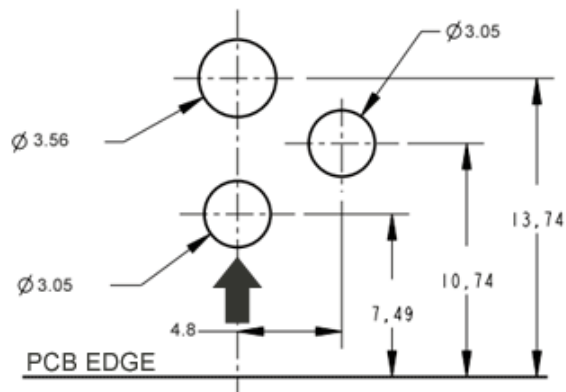
PCB Footprint



- 1 DC Pin Inner +V
- 3 Battery Bypass
- 2 DC Pin Outer -V

Pin 2-3 are connected when no DC pin is inserted. When DC pin is inserted The pin 3 is disconnected.

ALTERNATE PC BOARD LAYOUT (COMPONENT SIDE)



SPECIFICATIONS

Product Name	DC Socket
Contact Type	Contact
Current Rating	2A
Voltage Rating	DC 18V

ORDERING DETAILS

Sunrom Part#	Ordering Page
3938	http://www.sunrom.com/m/3938