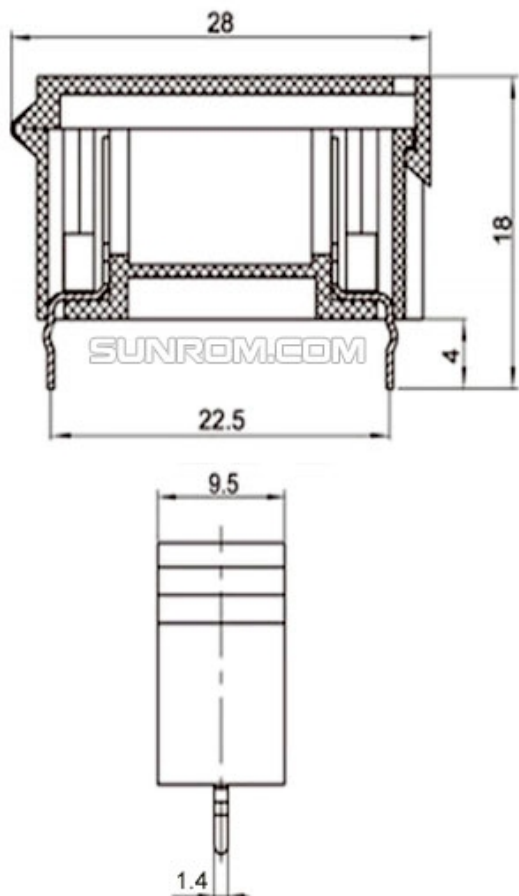


PCB MOUNT FUSE HOLDER FOR 5X20MM FUSES

PCB Mount, Protective Cover, Firm Grips

DIMENSIONS

Unit: mm



SPECIFICATIONS

Product Name	Fuse Holder
Voltage	250V
Current	6.3A
Fuse Space	5x20mm Glass or Ceramic type
Material	High Temperature Resistance, Fire Retardant
Color	Black
Package	Through Hole
Pin Pitch	22.5mm

ORDERING DETAILS

Sunrom Part#	Ordering Page
4940	http://www.sunrom.com/m/4940