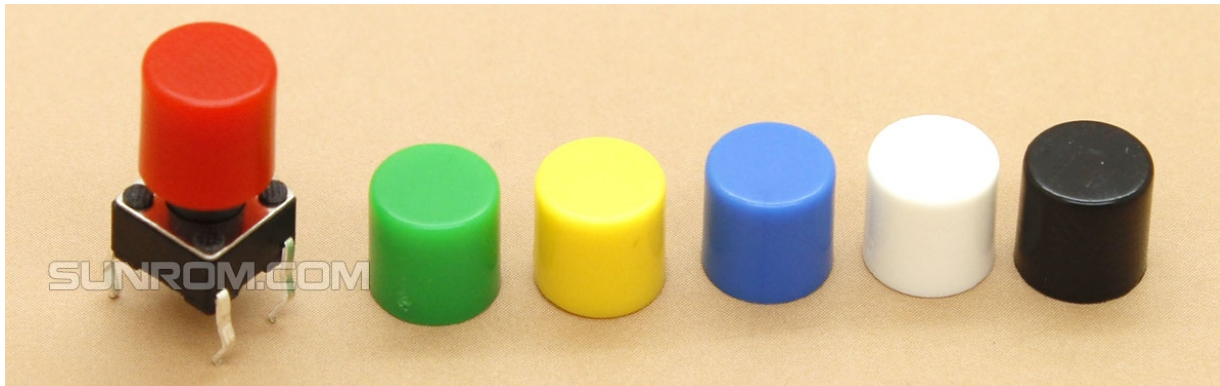
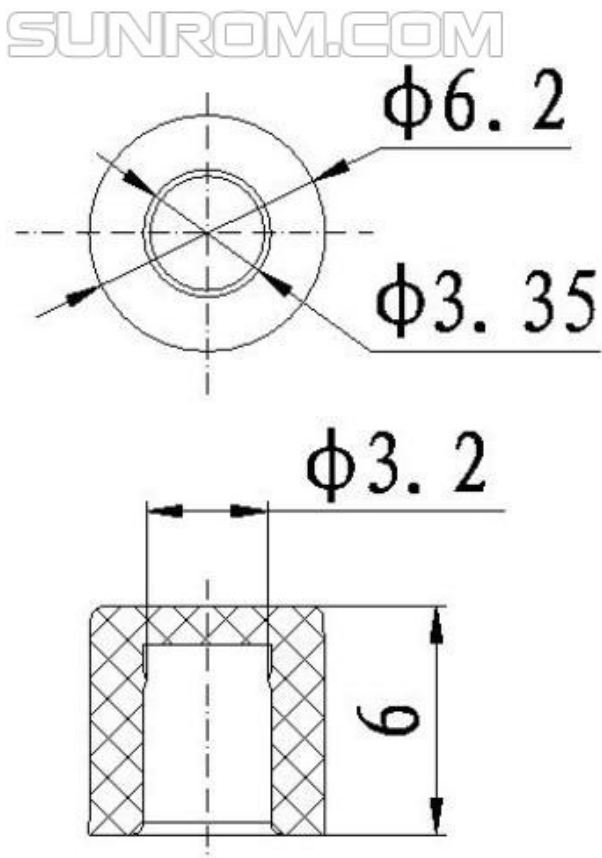


CAP FOR 6X6MM TACTILE SWITCHES - 6.2MM DIAMETER

Press fit to standard 6mm tactile switches of for enclosure use.



DIMENSIONS



SPECIFICATIONS

Product Name	Plastic Cap for Switch
Mounting Type	Press Fit (Adhesive drop recommended for production use)
Button Size	6.2mm Diameter, Flat Top
Material	Plastic
Color	Various
Finish	Glossy

ORDERING DETAILS

Sunrom Part#	Color	Ordering Page
4971	YELLOW	http://www.sunrom.com/m/4971
4972	GREEN	http://www.sunrom.com/m/4972
4973	RED	http://www.sunrom.com/m/4973
4974	BLUE	http://www.sunrom.com/m/4974
4975	WHITE	http://www.sunrom.com/m/4975
4976	BLACK	http://www.sunrom.com/m/4976