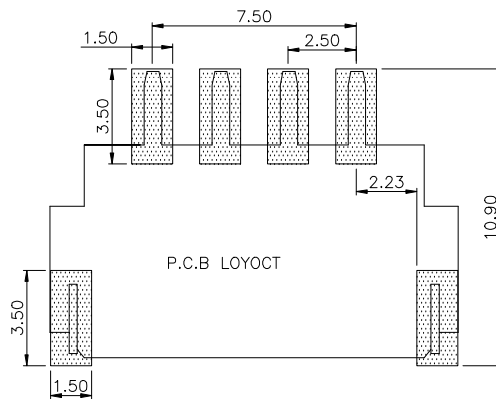
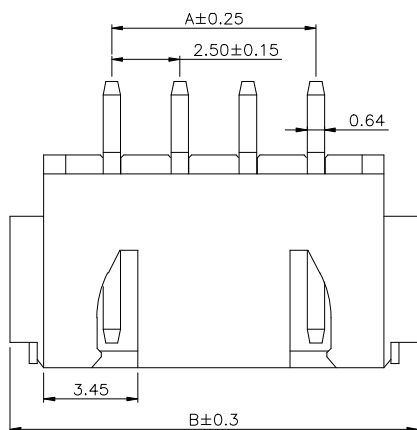
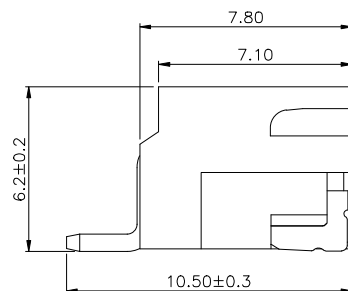
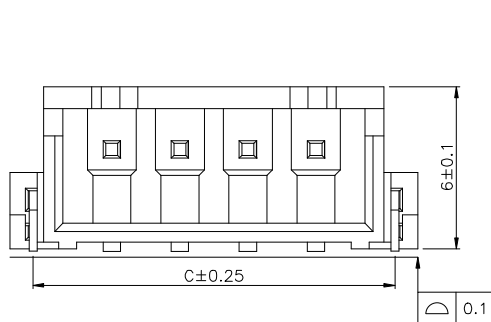
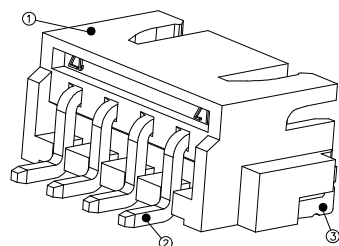


2Pin



▶ Part No	Pin	A	B	C
<a href="https://www.sunrom.com/m/5615">https://www.sunrom.com/m/5615</a>	2	2.50	10.00	8.30
<a href="https://www.sunrom.com/m/5616">https://www.sunrom.com/m/5616</a>	3	5.00	12.50	10.80
<a href="https://www.sunrom.com/m/5617">https://www.sunrom.com/m/5617</a>	4	7.50	15.00	13.30
<a href="https://www.sunrom.com/m/5618">https://www.sunrom.com/m/5618</a>	5	10.00	17.50	15.80
<a href="https://www.sunrom.com/m/5619">https://www.sunrom.com/m/5619</a>	6	12.50	20.00	18.30
<a href="https://www.sunrom.com/m/5620">https://www.sunrom.com/m/5620</a>	7	15.00	22.50	20.80
<a href="https://www.sunrom.com/m/5621">https://www.sunrom.com/m/5621</a>	8	17.50	25.00	23.30
	9	20.00	27.50	25.80
<a href="https://www.sunrom.com/m/5622">https://www.sunrom.com/m/5622</a>	10	22.50	30.00	28.30
	11	25.00	32.50	30.80
	12	27.50	35.00	33.30
	13	30.00	37.50	35.80
	14	32.50	40.00	38.30
	15	35.00	42.50	40.80
	16	37.50	45.00	43.30

NOTES:

- 1.BASE: LCP
- 2.PIN: Brass
- 3.Solder Tab: Brass

SPECIFICATIONS:

- 1.Spacing: 2.5
- 2.Voltage Rating: 250V AC DC
- 3.Current Rating: 3A AC DC
- 4.Insulation Resistance: 800MΩ Min
- 5.Contact Resistance: 20mΩ Max
- 6.Withstanding voltage: 500V AC 1/Minute
- 7.Temperatuer Range: -25℃ ~+ 85℃

SMD JST XH 2.5mm Side Entry Header