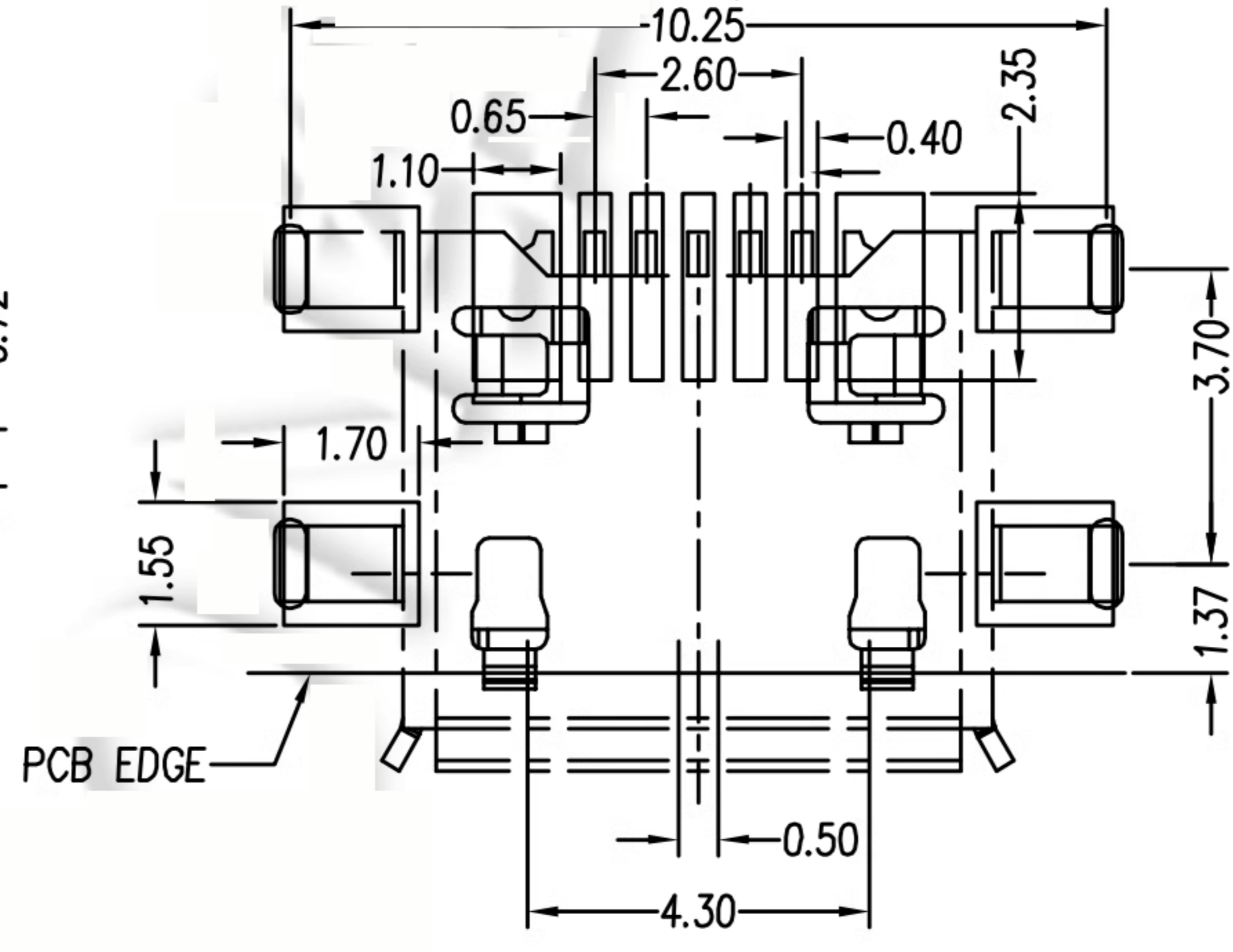
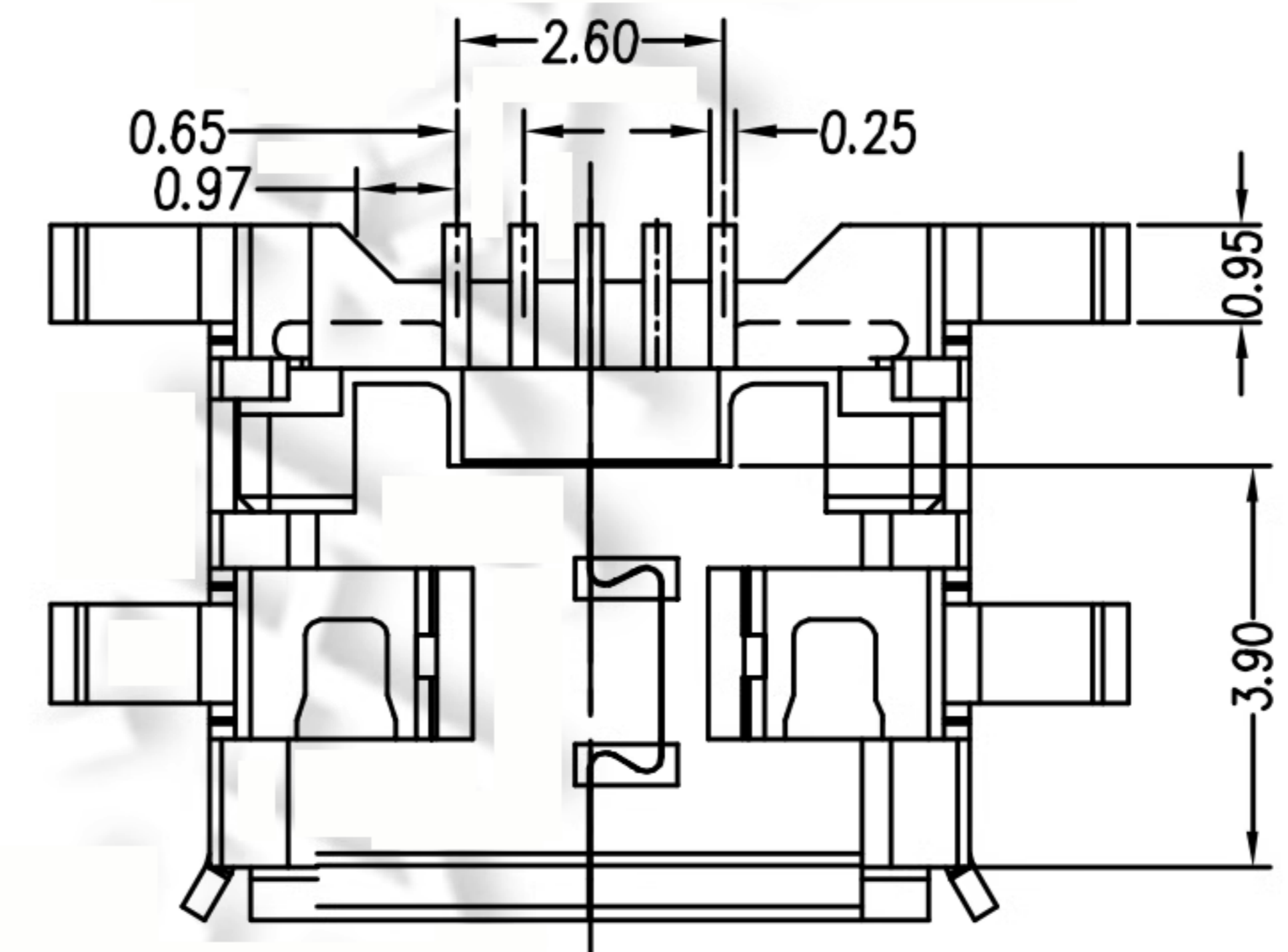
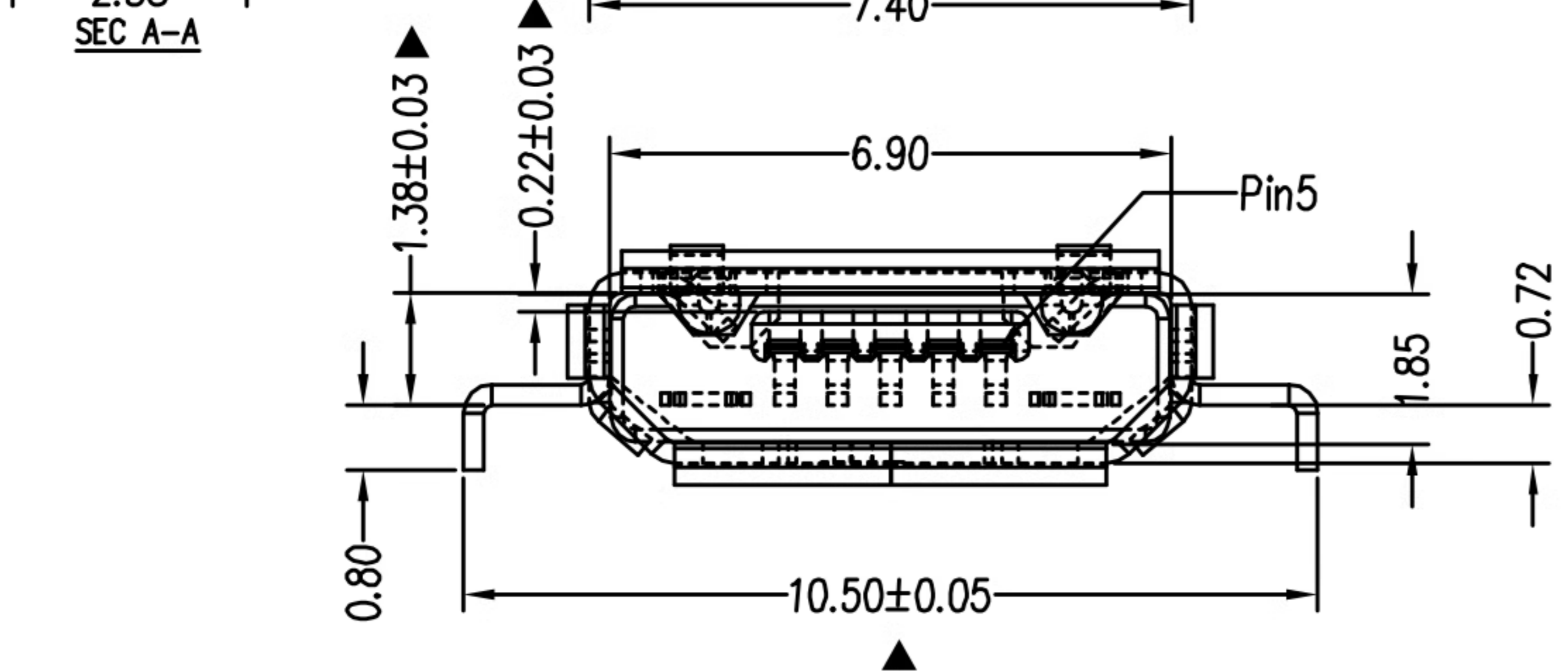
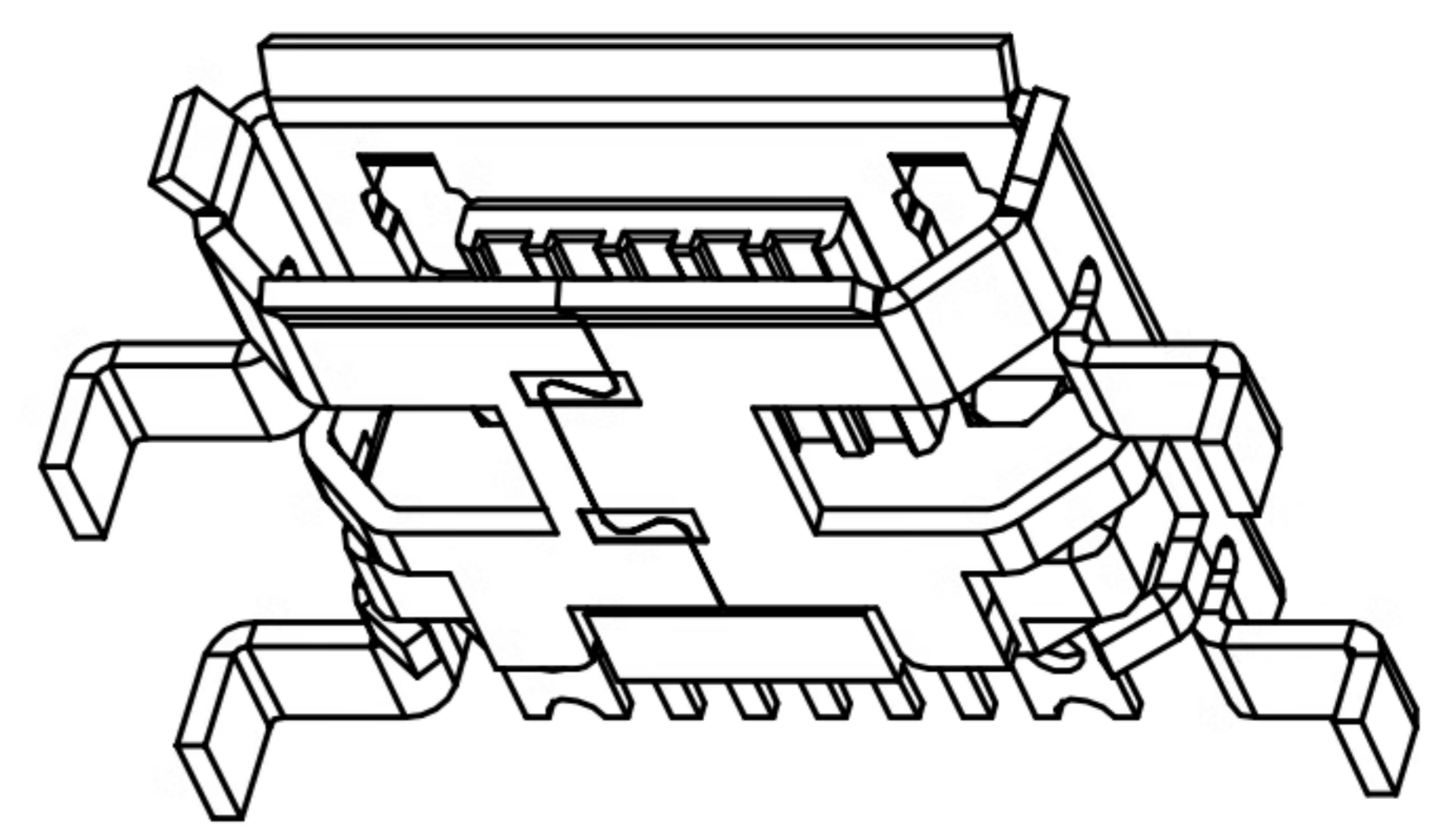
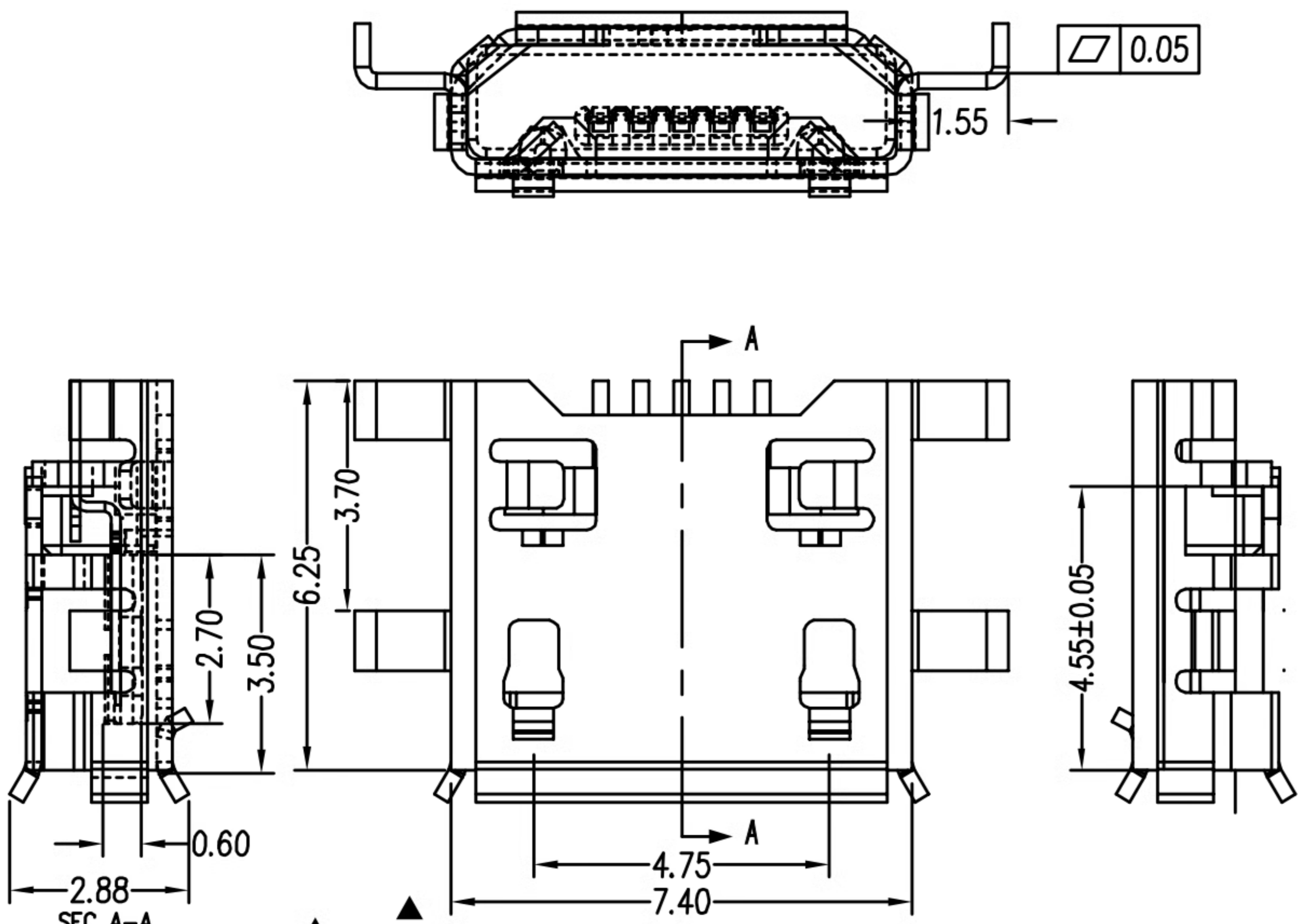


1 2 3 4 5 6 7 8

A
B
C
D
E
F



PCB LAYOUT

Note:

- 1. Material:
 - 1.1 Housing: High temperature thermoplastic with g. f, UL94v-0
 - 1.2 Contact: copper alloy, t=0.20mm
 - 1.3 Shell: copper alloy, t=0.25mm
- 2. Specification:
 - 2.1 Current rating: 1 A Max.
 - 2.2 Dielectric withstanding voltage: 100 V(ac) for 1 min.
 - 2.3 Contact resistance: 50 mΩ Max.
 - 2.4 Insulation resistance: 100 MΩ Min.
 - 2.5 Total mating force: 3.57 Kgf Max.
 - 2.6 Total unmating force: 1.0 Kgf Min.0.81~2.05 Kgf Min.after 10000 insertion/extraction cycles
 - 2.7 Temperature range: -30°C~80°C

Micro USB 5 pin **Bent** Entry
 Product Code 7268 <https://www.sunrom.com/m/7268>
 Micro USB 5 pin **Flat** Entry
 Product Code 7269 <https://www.sunrom.com/m/7269>

1 2 3 4 5 6 7 8