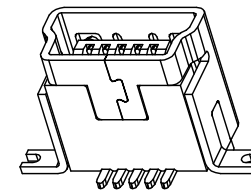
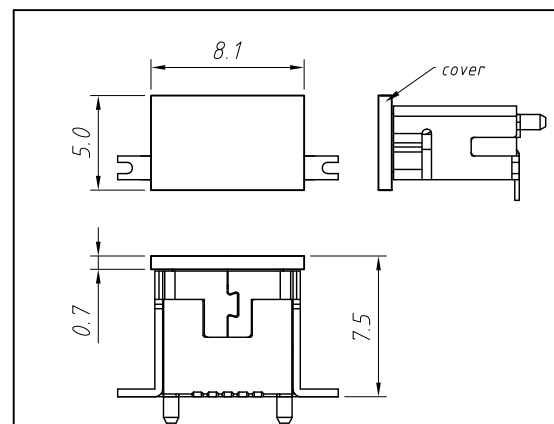
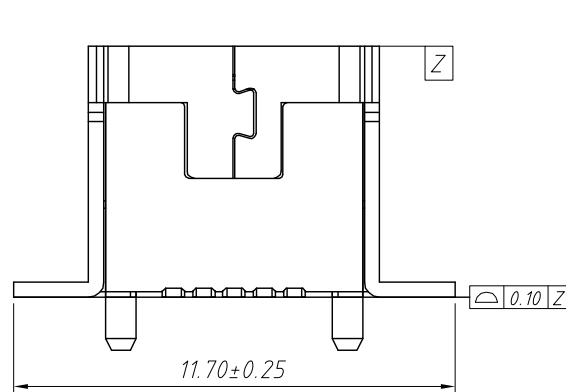
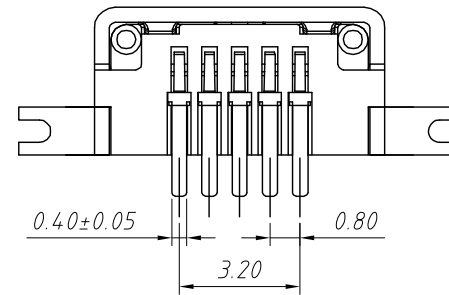
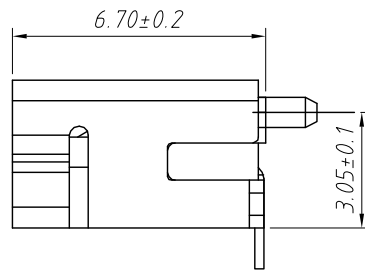
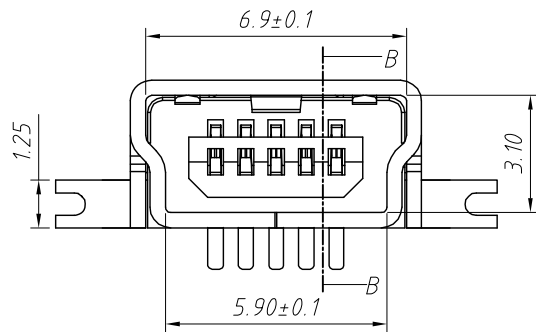


Material
Housing:LCP UL94V-0,Black.
Contact:Copper Alloy.
Shell:Copper Alloy.

Finish:
Contact:Gold Plating On Contact Area.
80u" SN Plating On Solder Tail Area,
50u" Min,Nickel Underplating Overall.

Electrical:
Voltage Rating:30VAC RMS
Current Rating:2.0A(pin 15);1.0A(pin 2 3 4).
Contact Resistance:50mΩ Max.
Insulation Resistance:100MΩ Min.
Dielectric Withstanding Voltage:
500 V AC For 1Minute.
Operating Life:5000 Cycles.
Operating temperature:-20 °C to +85 °C



Mini USB Vertical Straight
Product Code 7274
<https://www.sunrom.com/m/7274>