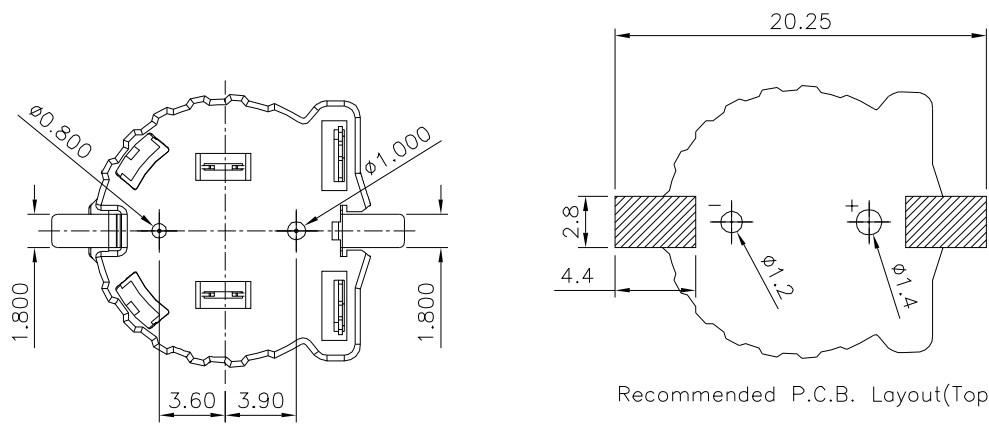
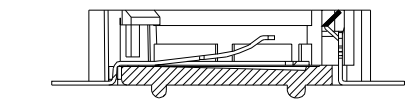
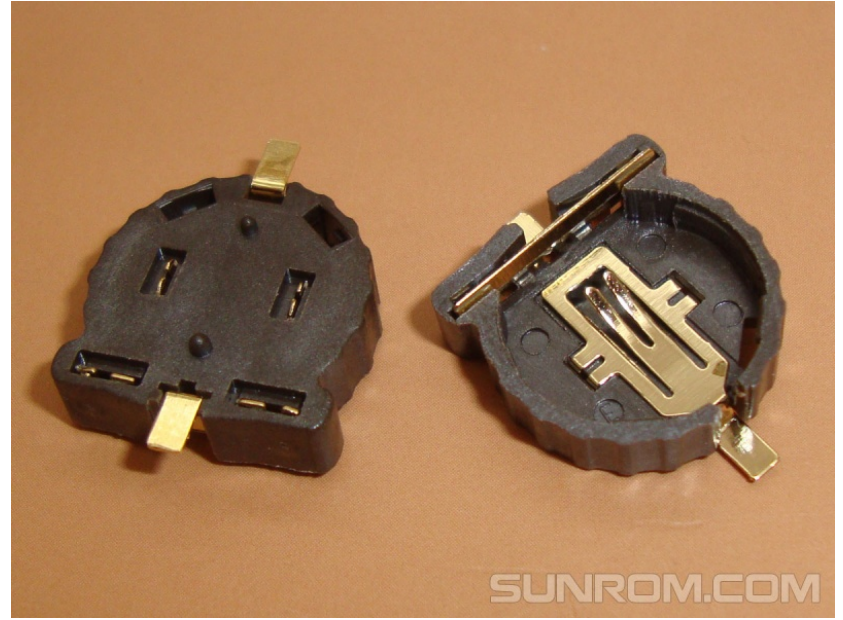


SPECIFICATION
 Withstand Voltage:500V AC One Sec Level
 Contact Resistance:30 Milliohms Max.
 Insulation Resistance:1000 Megaohms Min.
 Operation Temperature:-25°C~+85°C
 RoHS Compliant



Recommended P.C.B. Layout(Top View)

No.	Description	Q'ty	Material	Remark
①	Housing	1	PPS	Brown
②	Terminal +	1	Phosphor Bronze	Gold Flash Over Nickel
③	Terminal -	1	Phosphor Bronze	Gold Flash Over Nickel

Battery Socket for CR1220
<https://www.sunrom.com/m/4492>

DRAWING No.		APPROVED BY		UNLESS OTHERWISE SPECIFIED TOLERANCES ARE					
4492		MEI		X. ±0.30 X.* ±1'					
		CHECKED BY		.X ±0.25 X.* ±0.5'					
		DRAWING BY		.XXX ±0.10					
SCALE		REV.		UNIT		A0		NEW RELEASE	
NONE		A0		mm		NO.REV.		REVISIONS	
								HZF	
								03/14/2018	
								CHK	
								DATE	